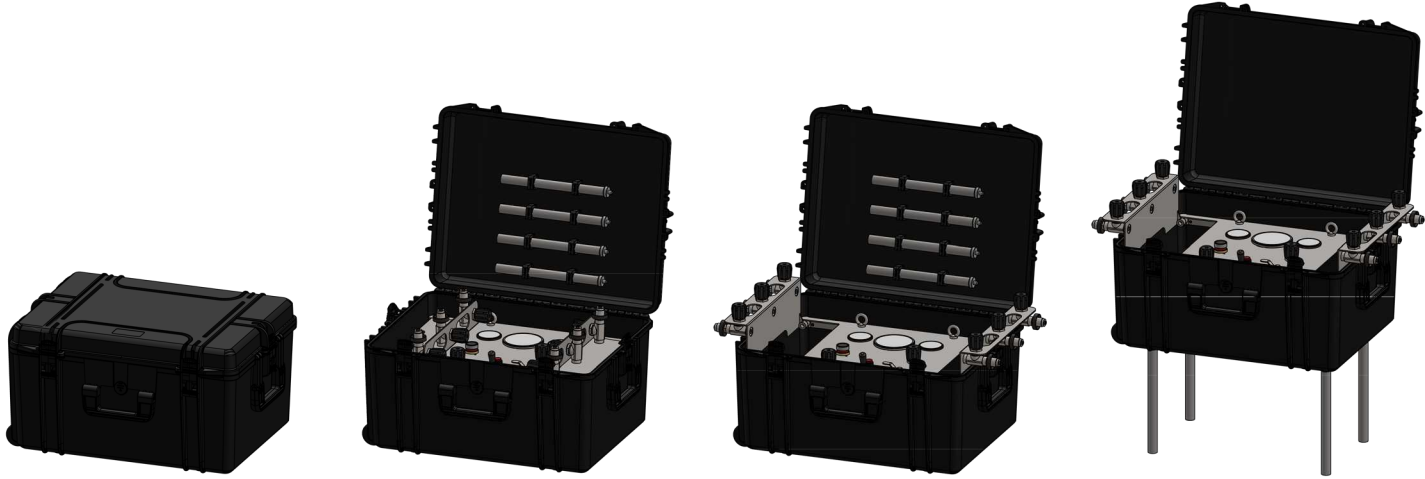


MII X-BOX

| | |
|--------------------------------|--|
| TRANSMISSION RATIO | 1:25 |
| MAX DRIVE AIR PRESSURE | 10 Bar - 175 psig |
| DRIVE AIR REGULATOR CONNECTION | DIN 300 |
| DISPLACEMENT | 2x 19 cc |
| MAX OUT PRESSURE | 230 Bar - 3335 psig 310 Bar - 4500 psig (ON REQUEST) |
| AIR DRIVE INLET CONNECTION | Micro Quick Connection 1/4" |
| GAS INLET CONNECTION | ON REQUEST |
| GAS OUTLET CONNECTION | ON REQUEST |
| DIMENSIONS | 68.5 x 53 x H36.5 cm |
| WEIGHT | 40.0 Kg approx. |
| MAIN FEATURES | <ul style="list-style-type: none">- 5 m Stainless Steel INLET hose for enhanced safety- 5 m Air Drive supply design- Simultaneous filling of up to 6 cylinders with Auto shutoff at the preset pressure- Durable European made waterproof case with wheels and carrying handle for ease of transportation |



MII X-BOX



1. Place the case

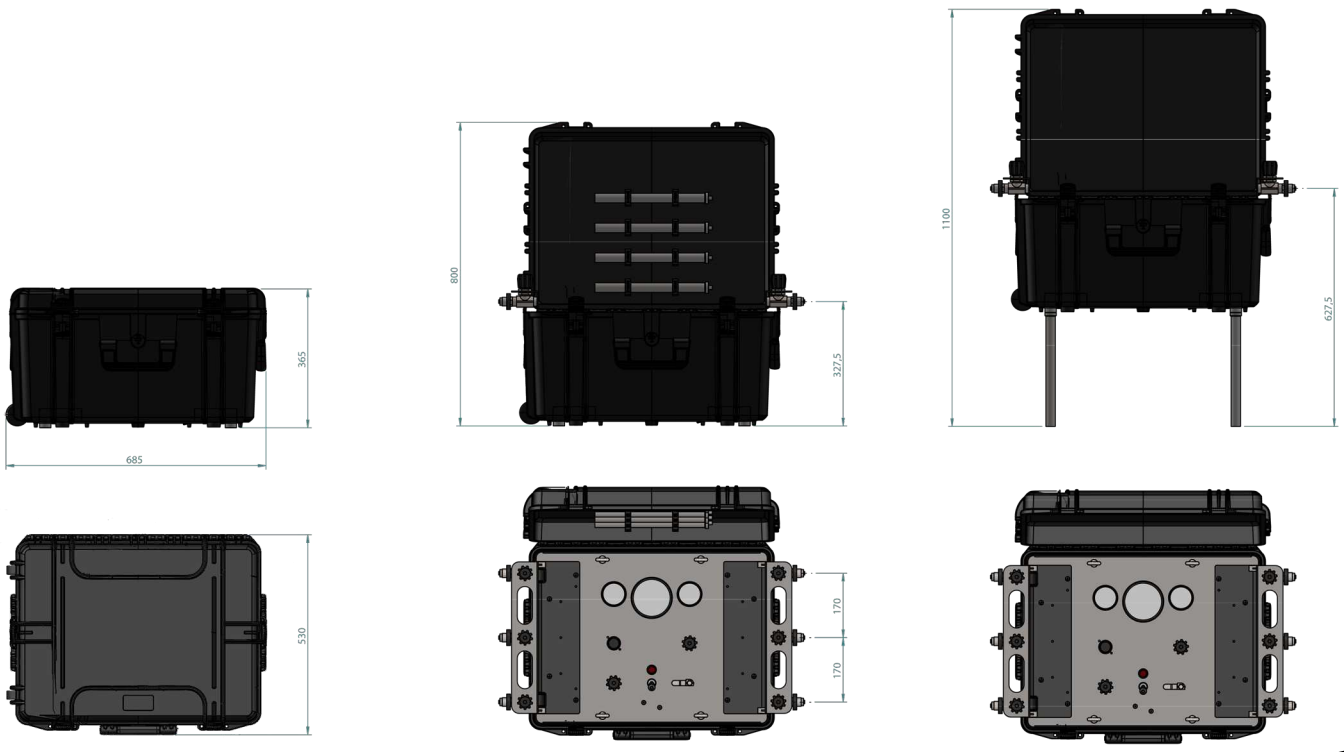
2. Open the cover

3. Open the manifolds and you are ready to refill up to 6 small cylinders

4. Eventually, mount the legs to increase the height

The X-BOX is specifically designed for portability in special military and industrial applications. Built with a special grade of stainless steel, it bears a very low magnetic stray field. The unit is built to be tough as nails and be used in the harshest and most environments.

The heart of the booster machine is made out of a space age polymeric material making it a more robust but lighter and more portable than ever.



MII X-BOX

The safety design of this machine is impeccable. All materials used are of the highest possible grade and mindful of the operator's safety.

The X-BOX comes ready to boost out of the case.

Every feature and function required is included in the unit plus redundancies in mind making it almost a fail safe and hassle free system.

